

Major 4a/5a

including Interface and Software
for operation of
Kenwood NEXEDGE base stations



FunkTronic
Kompetent für Elektroniksysteme

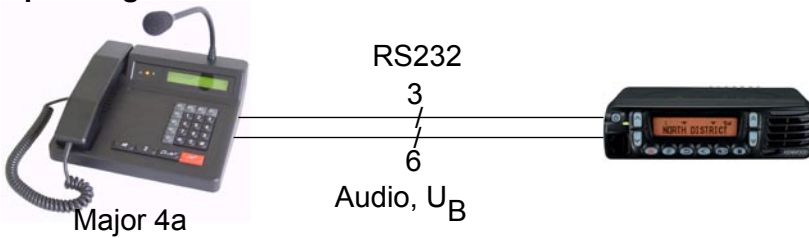
General

The new digital base stations of the Kenwood NEXEDGE series require a redesign of the interface between the operating terminals and the base stations. For this purpose a software option for the **Major 4a** and **Major 5a** was designed to match this demands. With this option the Major can be directly connected to the base station.

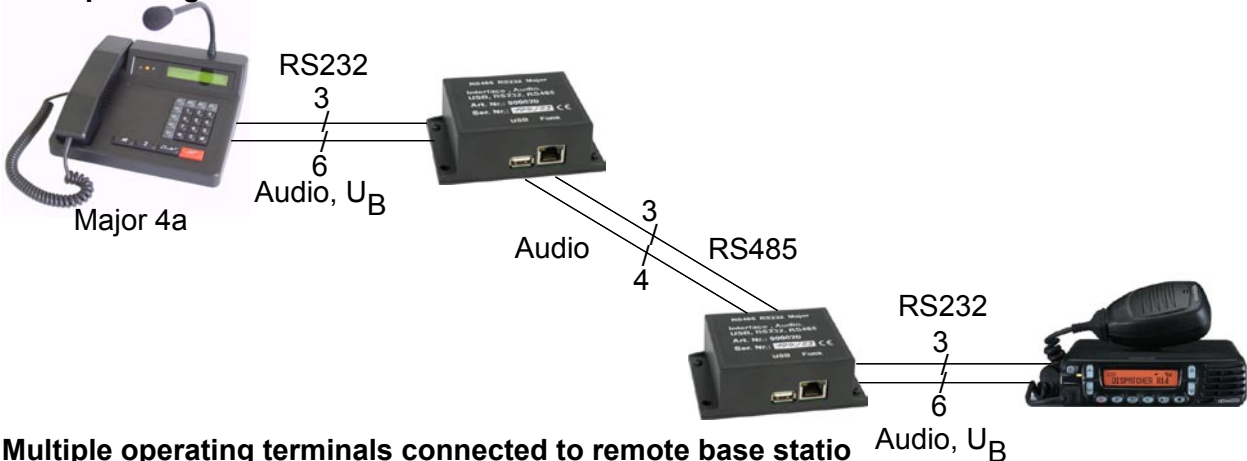
For remote operation of a NEXEDGE base station a pair of **Interface Audio, USB, RS232, RS485** comes into use. It is also possible to have multiple operating terminals connected to one base station. This configuration is carried out via an interface box at the operating terminal wired to the the central intarface box at the base station.

Examples

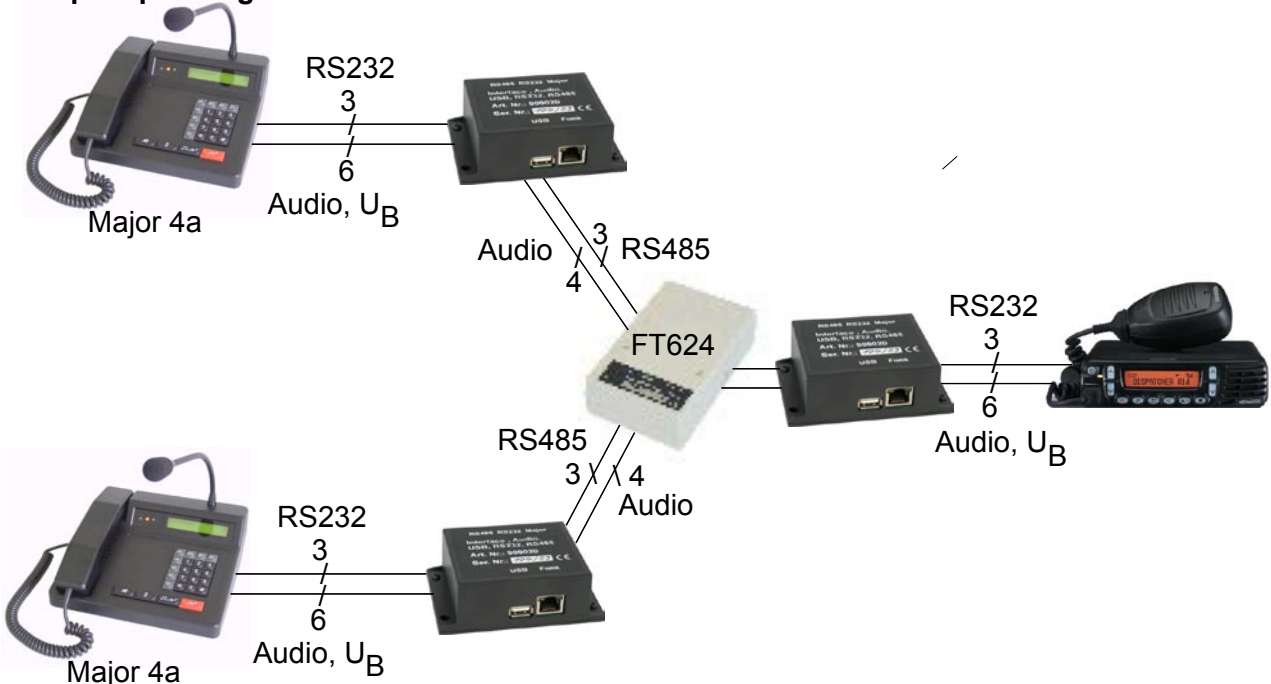
Operating terminal direct connected to base station



One operating terminal connected to remote base station



Multiple operating terminals connected to remote base station



Specifications

Major 4a / 5a

Supply

Voltage	+12 V DC
Current Consumption	max. 800 mA

Weight

1,5 kg

Dimensions

W x D x H (without Gooseneck Mic)	245 x 220 x 95 mm
-----------------------------------	-------------------

Anschlusswerte

Input Impedance	600 Ohm
Output Impedance	600 Ohm

Interface Audio, USB, RS232, RS485

Supply

Voltage	+12V DC
Current Consumption (at 12,0 V)	typ. 50 mA

Weight

ca. 110 g

Dimensions

W x D x H	100 x 75 x 32 mm
-----------	------------------

Remote Operation

Line Length

ca. 1200m

Ordering Information

Part No	Description
681000.NX	Major 4a (without Supply Unit) with software option NEXEDGE
900020	Interface Audio, USB, RS232, RS485
900012	Wall Power Supply 230/12V fitting Major 4a and Major 5a